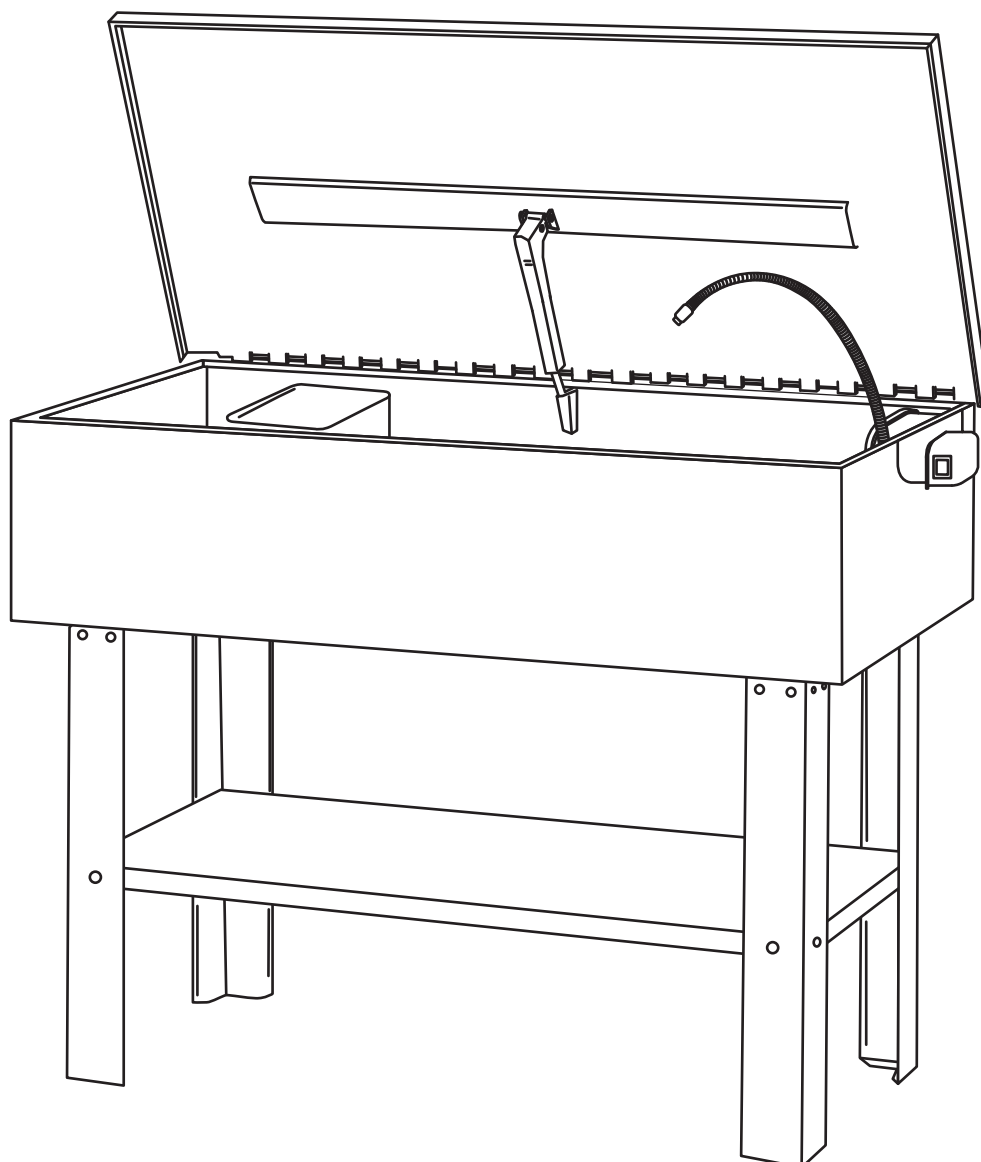


# 40 GALLON PARTS WASHER

## OPERATING INSTRUCTIONS AND PARTS MANUAL

MODEL: PW40G



### **Please read and save these instructions.**

Read through this owner's manual carefully before using product. Protect yourself and others by observing all safety information, warnings, and cautions. Failure to comply with instructions could result in personal injury and/or damage to product or property. Please retain instructions for future reference.

# GUARANTEE

---

This product is guaranteed against faulty manufacture for a period of 12 months from the date of purchase. Please keep your receipt as proof of purchase. This guarantee is invalid if the product is found to have been abused or tampered with in any way, or not used for its intended purpose.

Faulty goods should be returned to their place of purchase, no product can be returned to us without prior permission.

This guarantee does not effect your statutory rights.

# SAFETY PRECAUTIONS

---



**AS WITH ALL MACHINERY, THERE ARE CERTAIN HAZARDS INVOLVED WITH THEIR OPERATION AND USE. EXERCISING RESPECT AND CAUTION WILL CONSIDERABLY LESSEN THE RISK OF PERSONAL INJURY.**

**HOWEVER, IF NORMAL SAFETY PRECAUTIONS ARE OVERLOOKED OR IGNORED, PERSONAL INJURY TO THE OPERATOR OR DAMAGE TO PROPERTY, MAY RESULT.**

1. ALWAYS Learn the machine's applications, limitations, and the specific potential hazards peculiar to it. Read and become familiar with the entire operating manual.
2. ALWAYS wear suitable protective clothing, gloves and goggles, manufactured to the latest European Safety Standards. Everyday eye glasses are not safety glasses.
3. ALWAYS clean off any accidental splashes of degreaser on the skin, seek medical attention immediately if necessary.
4. ALWAYS follow degreaser manufacturer's instructions carefully.
5. ALWAYS check for damage. Before using the washer, any damaged part, should be checked to ensure that it will operate properly, and perform its intended function. Any damage should be properly repaired or the part replaced. If in doubt, DO NOT use the machine. Consult your local dealer.
6. ALWAYS disconnect the washer from the power supply before carrying out any maintenance or cleaning of the parts washer.
7. ALWAYS keep work area clean. Cluttered areas and benches invite accidents, mop up accidental spillages of degreaser immediately.
8. ALWAYS ensure that adequate lighting is available. A minimum intensity of 300 lux should be provided. Ensure that lighting is placed so that you will not be working in your own shadow.
9. ALWAYS keep children away. All visitors should be kept a safe distance from the work area, especially whilst operating the machine.
10. ALWAYS maintain machine in top condition. Keep washer clean for the best and safest performance. Follow maintenance instructions.
11. ALWAYS ensure the switch is off before plugging in to mains. Avoid accidental starting.
12. ALWAYS concentrate on the job in hand, no matter how trivial it may seem. Be aware that accidents are caused by carelessness due to familiarity.
13. ALWAYS keep your proper footing and balance at all times don't over reach. For best footing, wear rubber soled footwear. keep floor clear.

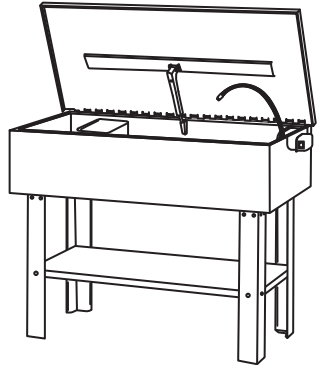
# FEATURES

---

- **Extra large tank with component shelf, plus small parts tray.**
- **Accepts all common degreasing fluids.**
- **Fusible link automatically closes lid in case of fire.**
- **Built in replacement filter.**
- **Easy maintenance solvent pump.**

# SPECIFICATIONS

---

<b>Item Name</b>	<b>PW40G</b>	
Tank capacity: 40 Gallon		
Solvent capacity: 24 Gallon		
Max. pump output: 2.7-3.6 L/min		
Electrical Requirement: 120V, 60Hz / 240V, 50Hz		

# ELECTRICAL CONNECTIONS

---

## **WARNING**

**WARNING!** Read these electrical safety instructions thoroughly before connecting the product to the mains supply.

Before switching the product on, make sure that the voltage of your electricity supply is the same as that indicated on the rating plate. Connecting it to any other power source may cause damage. This product may be fitted with a non-rewireable plug. If it is necessary to change the fuse in the plug, the fuse cover must be refitted. If the fuse cover becomes lost or damaged, the plug must not be used until a suitable replacement is obtained.

# INSTALLATION & ASSEMBLY

---

1. Choose a firm, flat and level surface to site the machine on, in a well ventilated area and away from any naked flames.
2. Assemble the legs and shelf to the parts washer as shown in the diagram on page 6, using the screws and nuts supplied.
3. Remove the pump housing cover plate (2 self tapping screws) and dispose of any packaging around the pump.
4. Replace the cover plate and mount the pump housing through the slot in the side of the tank. The switch housing protrudes through the slot with its underside hooking over the edge of the tank.
5. Ensure all packaging is removed before filling with parts washer fluid.

## OPERATION

---

1. Fill only with a non-flammable degreaser or cleaning agent, such as parts washer fluid, to just below the level of the parts shelf. **DO NOT fill with flammable solvents such as paraffin, thinners, etc.**
2. Open the lid, switch the pump on and hold the part to be cleaned under the nozzle, slowly rotate the component until clean.
3. When clean, leave to drain on the tray or in a small component container until dry.
4. Switch off the pump and close the lid and disconnect the power supply.
5. Remove gloves and goggles, store safely.

**Note: Any spillages should be mopped up immediately, so as not to cause a safety hazard.**

### IMPORTANT:


1. The Lid Stay incorporates a safety device in the form of a fusible link, which closes the lid in the event of fire. The link is non-resetting and must be replaced should it be activated.
2. Clean the pump filter regularly, by sliding it away from the pump housing and rinsing it in clean degreaser.
3. Do not allow the level of liquid in the parts washer to fall below the pump inlet, as damage to the pump can result.

## ENVIRONMENTAL PROTECTION

---

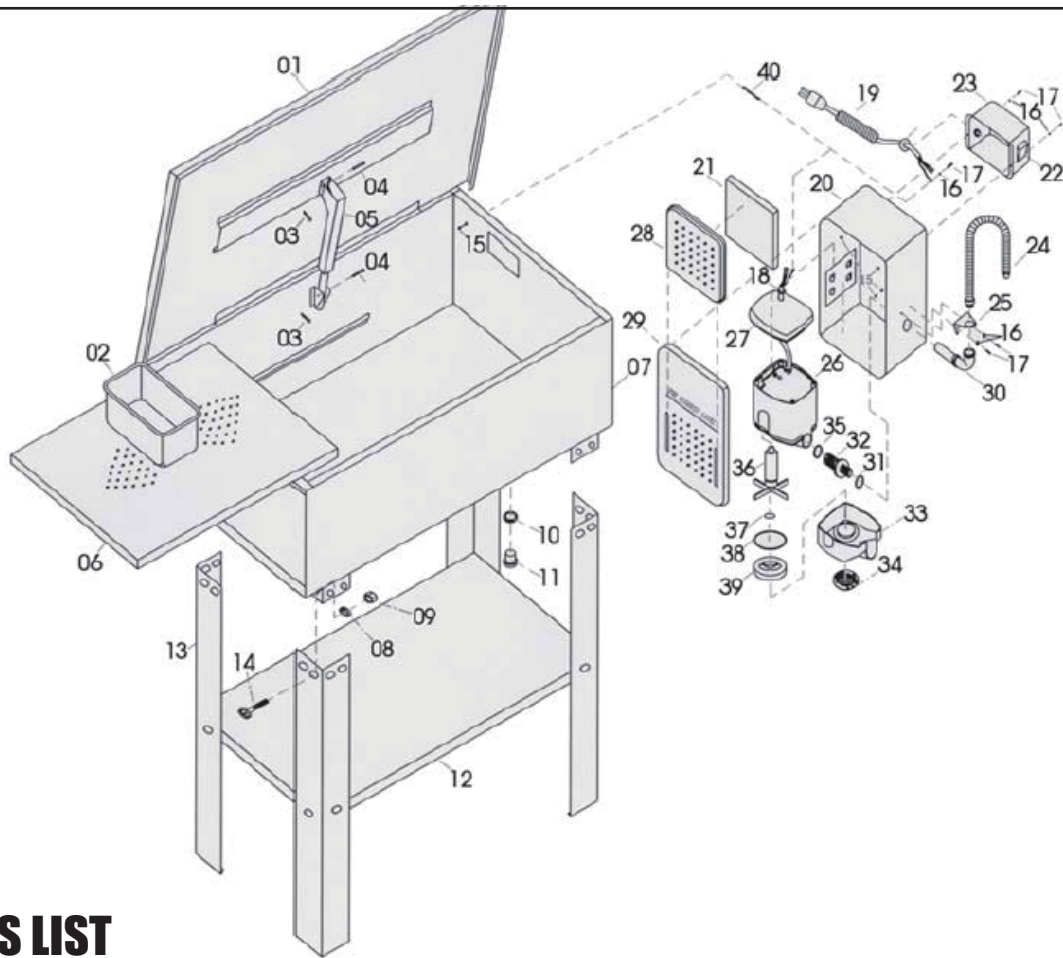
Do not dispose of this product or damaged components with general household waste. All tools, accessories and packaging should be sorted, taken to a recycling centre and disposed of appropriately.

One of the most damaging sources of environmental pollution is oil products. Never throw away used oil with domestic refuse or flush it down a sink or drain. Collect any oil in a leak proof container and take it to your local waste disposal site.

 Through purchase of this product, the customer is taking on the obligation to deal with the WEEE in accordance with the WEEE regulations in relation to the treatment, recycling & recovery and environmentally sound disposal of the WEEE.

In effect, this means that this product must not be disposed of with general household waste. It must be disposed of according to the laws governing Waste Electrical and Electronic Equipment (WEEE) at a recognised disposal facility.

# PARTS DIAGRAM



## PARTS LIST

N.O.	DESCRIPTION	N.O.	DESCRIPTION	N.O.	DESCRIPTION
1	Lid	16	Spring Washer	31	'O'-Ring
2	Small Parts Container	17	Screw	32	Spigot
3	Spring Pin	18	Grommet	33	Pump Housing*
4	Rivet	19	Power Cable & Plug	34	Pump Filter*
5	Lid Stay c/w Fusible Link	20	Pump Housing	35	Sealing Ring
6	Work Shelf	21	Screen	36	Pump Impeller*
7	Tank	22	Switch	37	Pump Shim Washer*
8	Spring Washer	23	Switch Box	38	Pump Sealing Ring*
9	Nut	24	24 Flexible Pipe	39	Pump Impeller Holder*
10	'O'-Ring	25	25 Elbow Seat	40	Pyrocondensation Pipe
11	Plug	26	Pump Body*	*	Pump Assy complete
12	Shelf	27	Pump Cover*		
13	Leg	28	Filter Cover		
14	Screw	29	Pump Housing Cover		
15	Nut	30	Elbow		